

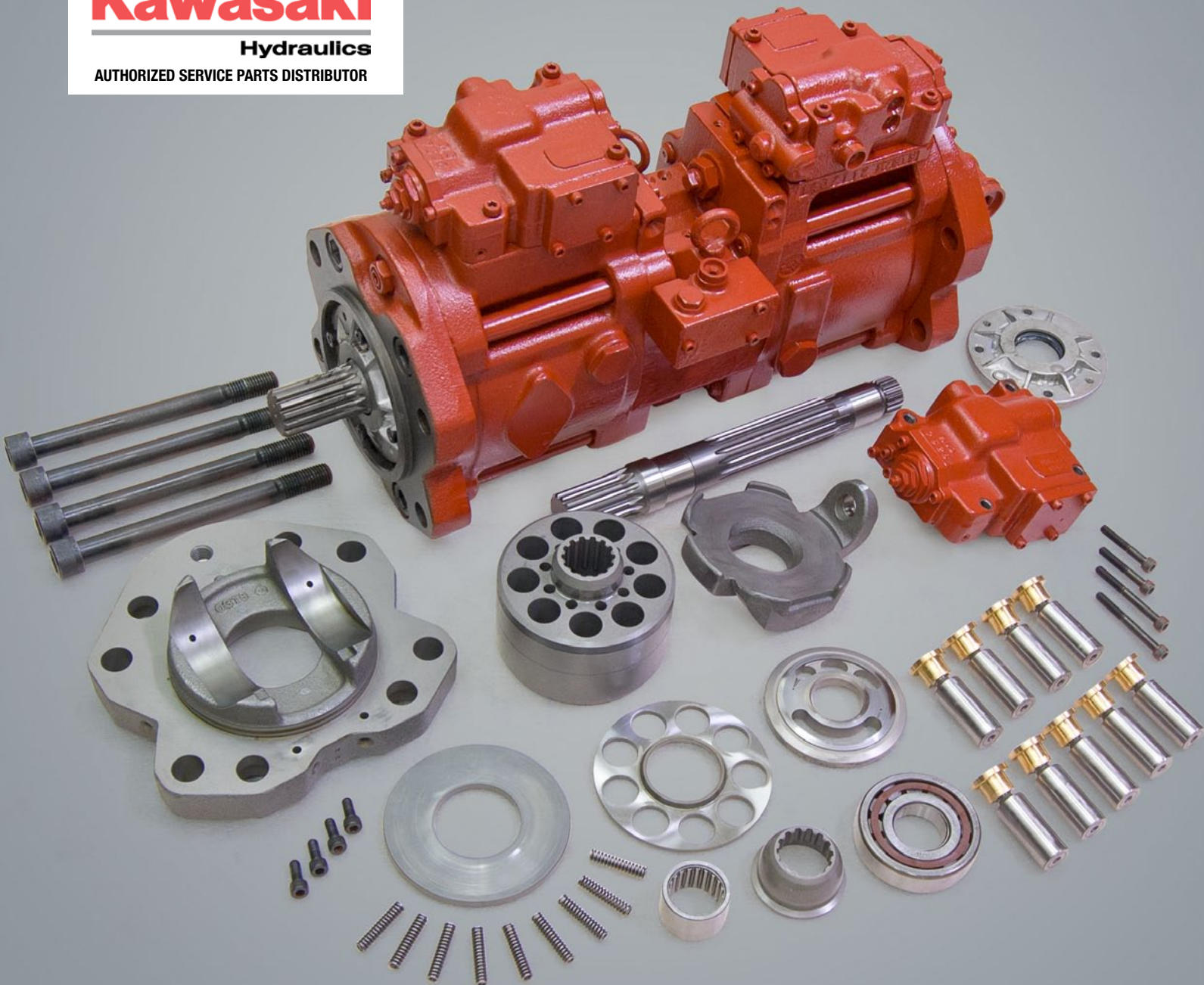
Kawasaki K3V & K5V Parts Catalog

Parts Lists and Breakdowns

Kawasaki

Hydraulics

AUTHORIZED SERVICE PARTS DISTRIBUTOR



Kawasaki Parts Request Form

K3V & K5V Common Wear Parts

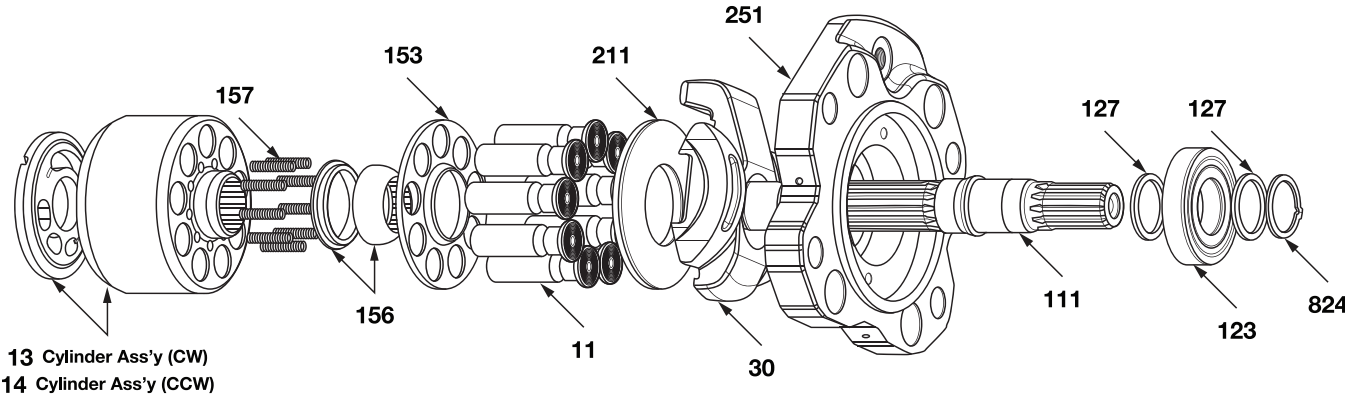
To aid in making sure you get the exact parts you need, please fill out this form to the best of your ability and email it back to hrdsales@hydraulex.com. You can also email us a picture of the nameplate from your unit as well.

MODEL CODE

(If you can supply your unit's model code, it could help out greatly! If not, we'll do our best to help you identify it.)

Below are the common wear parts of a Kawasaki Hydraulic Pump. Please indicate which parts you need and how many in the Qty Needed column. Please note, quantities and parts may vary for some units.

If you do not see the parts you need below, please write them down in the Notes section at the bottom.



NO.	DESCRIPTION	QTY/UNIT	QTY NEEDED
11	PISTON ASS'Y (LAP)	18	
13	CYLINDER ASS'Y (CW)	1	
14	CYLINDER ASS'Y (CCW)	1	
30	SWASH PLATE ASS'Y	2	
111	DRIVE SHAFT (Front)	1	
113	DRIVE SHAFT (Rear)	1	
123	BEARING, ROLLER (Front)	2	
124	BEARING, NEEDLE (Rear)	2	

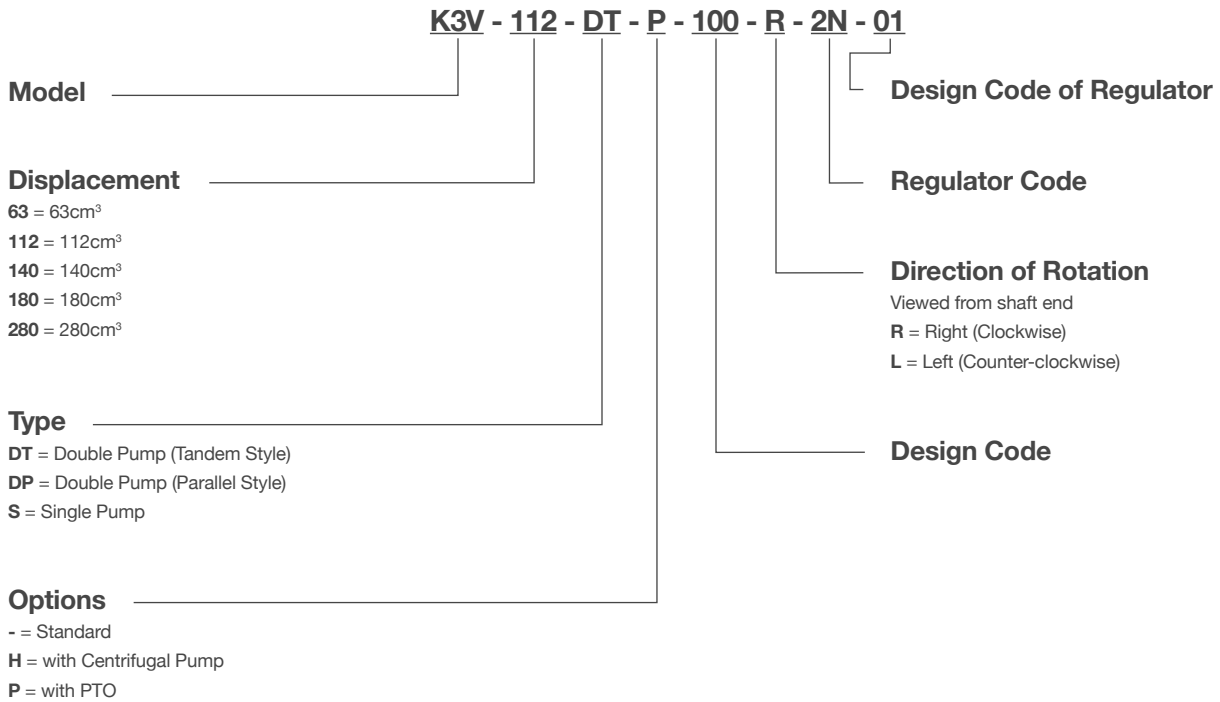
NO.	DESCRIPTION	QTY/UNIT	QTY NEEDED
127	BEARING SPACER	4	
153	SET PLATE	2	
156	SPHERICAL BUSHING	2	
157	CYLINDER SPRING	18	
211	SHOE PLATE	2	
251	SWASH PLATE SUPPORT	2	
824	SNAP RING	2	
-	SEAL KIT FOR PUMP	1	

Note: Quantities above are based on a Double Type Unit.

NOTES

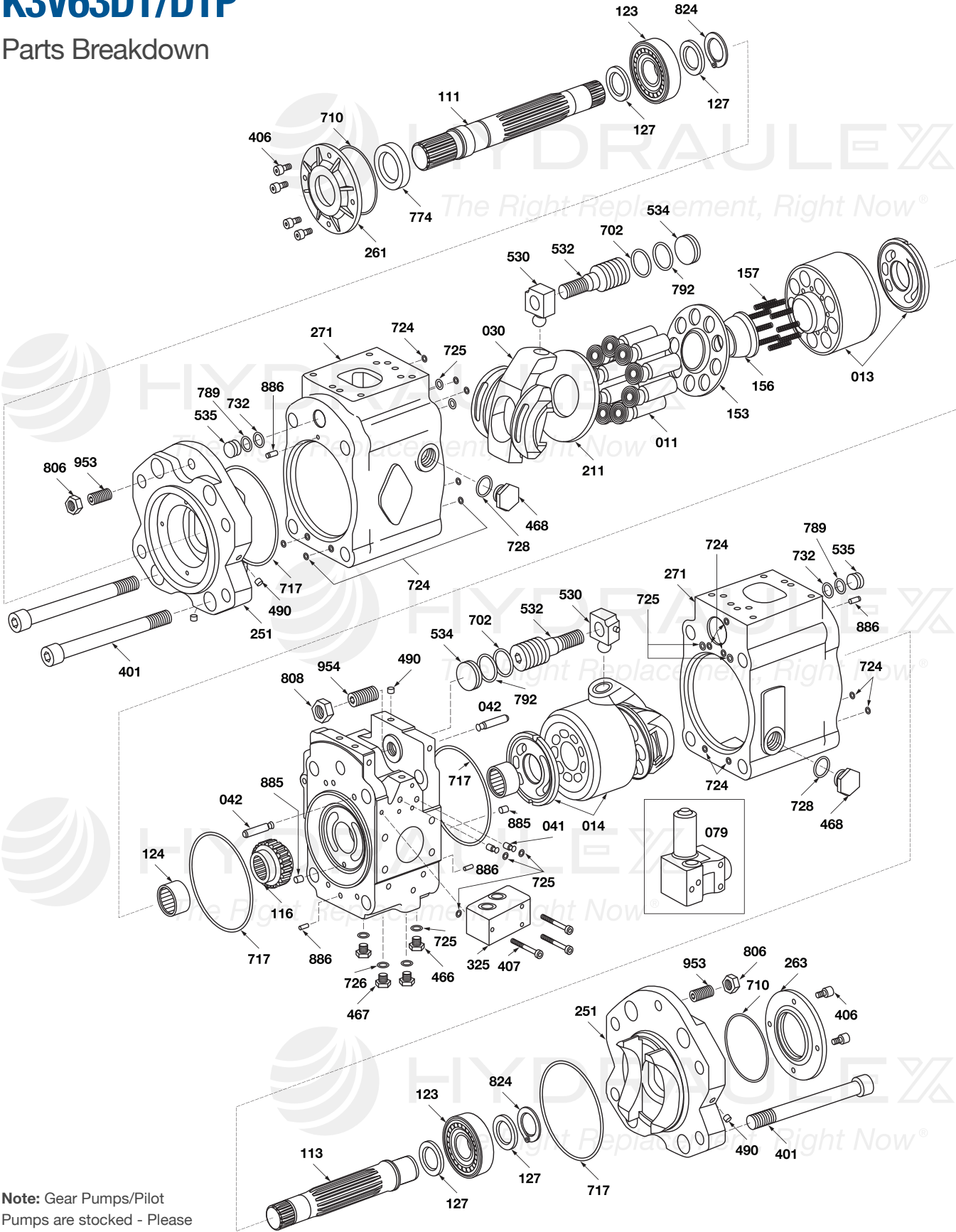
K3V Series

Model Code Breakdown



K3V63DT/DTP

Parts Breakdown



Note: Gear Pumps/Pilot Pumps are stocked - Please call for pricing & availability.

K3V63DT/DTP

Parts Breakdown

NO.	OEM PART #	AFTERMARKET #	DESCRIPTION	QTY/UNIT	NOTES
11	K3V63PS-K	K3V63PS	PISTON ASS'Y (LAP)	18	Sold in Sets of 9
13	K3V63CBRH-K	K3V63CBRH	CYLINDER ASS'Y (CW)	1	
14	K3V63CBLH-K	K3V63CBLH	CYLINDER ASS'Y (CCW)	1	
30	K3V63SWP-K		SWASH PLATE ASS'Y	2	Includes Bushing
-		K3V63SPB	SWASH PLATE BUSHING	2	
41			VALVE, CHECK1 SHORT	2	
42			VALVE, CHECK2 LONG	2	
111		K3V63SF	DRIVE SHAFT (Front)	1	
113	K3V63SR12-K		DRIVE SHAFT (Rear - 12 Tooth)	1	
-	K3V63SR13-K	K3V63SR13	DRIVE SHAFT (Rear - 13 Tooth)	1	
-		K3V63SRCAT	DRIVE SHAFT (Rear - CAT App.)	1	
116			1ST GEAR	1	For DTP Model
-		K3V63SC	SPLINE COUPLING	1	For DT Model
123	K3V63FB-K	K3V63FB	BEARING, ROLLER (Front)	2	
124	K3V63RB-K	K3V63RB	BEARING, NEEDLE (Rear)	2	
127		K3V63SPCR	BEARING SPACER	4	
153	K3V63SP-K	K3V63SP	SET PLATE	2	
156	K3V63BGS-K		SPHERICAL BUSHING	2	Includes Spacer
157	K3V63BS-K	K3V63BS	CYLINDER SPRING	18	Sold in Sets of 9
211	K3V63SHP-K	K3V63SHP	SHOE PLATE	2	
251	K3V63SPS-K	K3V63SPA*	SWASH PLATE SUPPORT	2	*Aftermarket # includes Support & Swash Plate
261			FRONT COVER - 14 Tooth	1	
263			REAR COVER	1	
271			PUMP CASING	2	
312			VALVE COVER	1	
325			COVER or ASSIST CASING	1	
326			COVER	1	Not Pictured
401			SCREW, HEX .S.H.C	8	
406			SCREW, HEX S.H.C	8	Qty Needed Depends on Model
407			SCREW, HEX S.H.C	3	Depends on Model
407			SCREW, HEX S.H.C	3	Depends on Model
414			SCREW, HEX S.H.C	4	
466		OVP38	VP PLUG 3/8	2	
467		OVP12	VP PLUG 1/2	2	
490			PLUG 1/16	33	Qty Needed Depends on Model
530		K3V63DTTP	TILTING PIN ASS'Y	2	

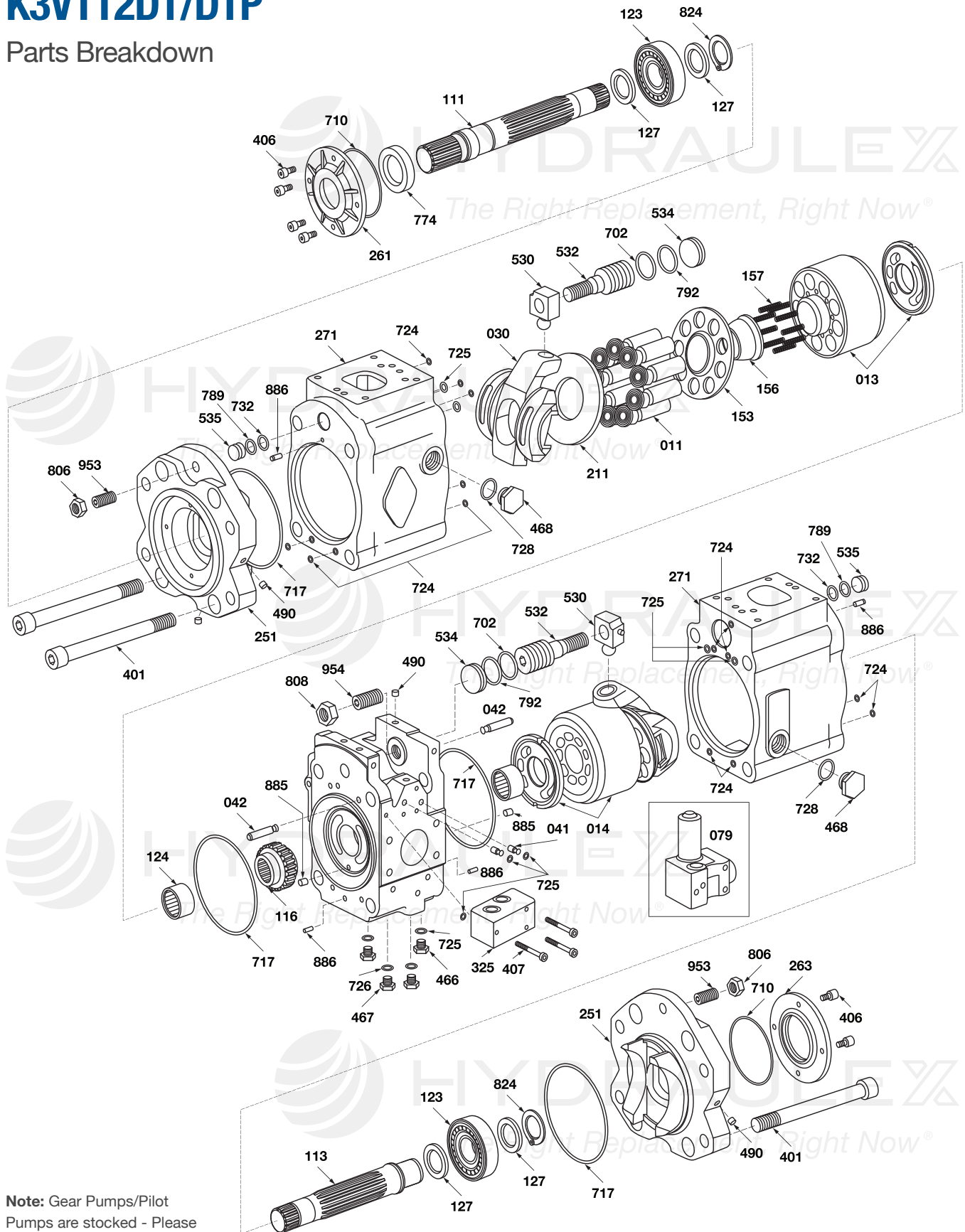
K3V63DT/DTP

Parts Breakdown

NO.	OEM PART #	AFTERMARKET #	DESCRIPTION	QTY/UNIT	NOTES
532		113381A	SERVO PISTON	2	
534		113382	STOPPER (L)	2	
535		113383	STOPPER (S)	2	
702			O-RING (See Seal Kit)	2	Not Sold Separately
710			O-RING (See Seal Kit)	3	Not Sold Separately
717			O-RING (See Seal Kit)	4	Not Sold Separately
724			O-RING (See Seal Kit)	18	Not Sold Separately
725			O-RING (See Seal Kit)	8	Not Sold Separately
726			O-RING (See Seal Kit)	3	Not Sold Separately
727			O-RING (See Seal Kit)	1	Not Sold Separately
728			O-RING (See Seal Kit)	4	Not Sold Separately
732			O-RING (See Seal Kit)	2	Not Sold Separately
774			SEAL, OIL (See Seal Kit)	1	Not Sold Separately
789			RING, BACK UP (See Seal Kit)	2	Not Sold Separately
792			RING, BACK UP (See Seal Kit)	2	Not Sold Separately
-		K3V63SK	SEAL KIT	Set	
806			NUT, HEX	2	
808			NUT, HEX	2	
824		202604	RING, STOP	2	
885			PIN	2	
886		200678	PIN, SPRING	4	
901			BOLT, EYE	2	Not Pictured
953		118892	SCREW, SET	2	
954		113388	SCREW, SET	2	
983			DRIVE SCREW	2	For Nameplate-Not Pictured
981			PLATE, NAME	1	Not Pictured
02			Regulator	2	
03			PTO	1	
04		Stocked	Gear Pump/Pilot Pump	1	Please Call
079		Stocked	Proportional Reducing Block	1	Please Call

K3V112DT/DTP

Parts Breakdown



Note: Gear Pumps/Pilot Pumps are stocked - Please call for pricing & availability.

K3V112DT/DTP

Parts Breakdown

NO.	OEM PART #	AFTERMARKET #	DESCRIPTION	QTY/UNIT	NOTES
11	K3V112PS-K	K3V112PS	PISTON ASS'Y (LAP)	18	Sold in Sets of 9
13	K3V112CBRH-K	K3V112CBRH	CYLINDER ASS'Y (CW)	1	
14	K3V112CBLH-K	K3V112CBLH	CYLINDER ASS'Y (CCW)	1	
30	K3V112SWP-K		SWASH PLATE ASS'Y	2	Includes Bushing
41		K3V112CV550A	VALVE, CHECK1 SHORT	2	
42		K3V112CV544A	VALVE, CHECK2 LONG	2	
111		K3V112SF12	DRIVE SHAFT (Front - 12 Tooth)	1	
-		K3V112SF14	DRIVE SHAFT (Front - 14 Tooth)	1	
113	K3V112SR12-K	K3V112SR12	DRIVE SHAFT (Rear - 12 Tooth)	1	
-		K3V112SR13	DRIVE SHAFT (Rear - 13 Tooth)	1	
116			1ST GEAR	1	For DTP Model
-		K3V112SC	SPLINE COUPLING	1	For DT Model
123	K3V112FB-K	K3V112FB	BEARING, ROLLER (Front)	2	
124	K3V112RB-K	K3V112RB	BEARING, NEEDLE (Rear)	2	
127			BEARING SPACER	4	
153	K3V112SP-K	K3V112SP	SET PLATE	2	
156	K3V112BGS-K	K3V112BGS	SPHERICAL BUSHING	2	Includes Spacer
157	K3V112BS-K	K3V112BS	CYLINDER SPRING	18	Sold in Sets of 9
211	K3V112SHP-K	K3V112SHP	SHOE PLATE	2	
251	K3V112SPS-K	K3V112SPA*	SWASH PLATE SUPPORT	2	*Aftermarket # includes Support & Swash Plate
261		K3V112SC14	FRONT COVER - 14 Tooth	1	
-		K3V112SC12	FRONT COVER - 12 Tooth	1	
263			REAR COVER	1	
271			PUMP CASING	2	
312			VALVE COVER	1	
325			COVER or ASSIST CASING	1	
326			COVER	1	Not Pictured
401		113797	SCREW, HEX .S.H.C	8	
406			SCREW, HEX S.H.C	8	Qty Needed Depends on Model
407			SCREW, HEX S.H.C	3	Depends on Model
407			SCREW, HEX S.H.C	3	Depends on Model
414			SCREW, HEX S.H.C	4	
466		OVP14	VP PLUG 1/4	2	
467		OVP38	VP PLUG 3/8	2	
468		OVP34	VP PLUG 3/4	4	
490			PLUG 1/16	33	Qty Needed Depends on Model

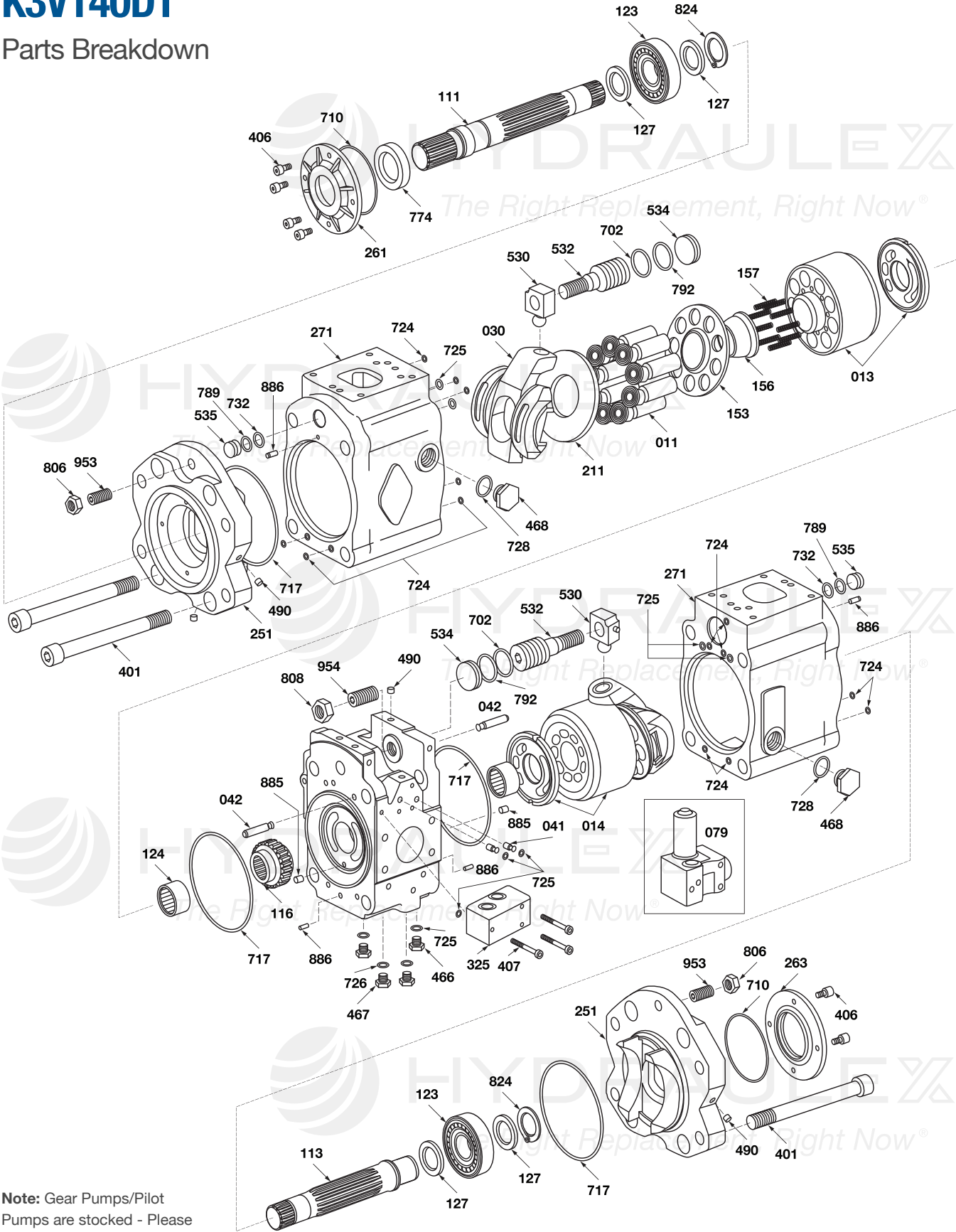
K3V112DT/DTP

Parts Breakdown

NO.	OEM PART #	AFTERMARKET #	DESCRIPTION	QTY/UNIT	NOTES
530		K3V112DTP	TILTING PIN ASS'Y	2	
532		K3V112SERVO	SERVO PISTON	2	
534		113799	STOPPER (L)	2	
535		113800	STOPPER (S)	2	
702			O-RING (See Seal Kit)	2	Not Sold Separately
710			O-RING (See Seal Kit)	3	Not Sold Separately
717			O-RING (See Seal Kit)	4	Not Sold Separately
724			O-RING (See Seal Kit)	18	Not Sold Separately
725			O-RING (See Seal Kit)	8	Not Sold Separately
726			O-RING (See Seal Kit)	3	Not Sold Separately
727			O-RING (See Seal Kit)	1	Not Sold Separately
728			O-RING (See Seal Kit)	4	Not Sold Separately
732			O-RING (See Seal Kit)	2	Not Sold Separately
774			SEAL, OIL (See Seal Kit)	1	Not Sold Separately
789			RING, BACK UP (See Seal Kit)	2	Not Sold Separately
792			RING, BACK UP (See Seal Kit)	2	Not Sold Separately
-		K3V112SK	SEAL KIT (40mm)	Set	
-		K3V112-45SK	SEAL KIT (45mm)	Set	
806			NUT, HEX	2	
808			NUT, HEX	2	
824		202606	RING, STOP	2	
885		113801	PIN	2	
886		200678	PIN, SPRING	4	
901			BOLT, EYE	2	Not Pictured
953		118892	SCREW, SET	2	
954		113803	SCREW, SET	2	
983			DRIVE SCREW	2	For Nameplate-Not Pictured
981			PLATE, NAME	1	Not Pictured
02			Regulator	2	
03			PTO	1	
04		Stocked	Gear Pump/Pilot Pump	1	Please Call
079		Stocked	Proportional Reducing Block	1	Please Call

K3V140DT

Parts Breakdown



Note: Gear Pumps/Pilot Pumps are stocked - Please call for pricing & availability.

K3V140DT

Parts Breakdown

NO.	OEM PART #	AFTERMARKET #	DESCRIPTION	QTY/UNIT	NOTES
11	K3V140PS-K	K3V140PS	PISTON ASS'Y (LAP)	18	Sold in Sets of 9
13	K3V140CBRH-K	K3V140CBRH	CYLINDER ASS'Y (CW)	1	
14	K3V140CBLH-K	K3V140CBLH	CYLINDER ASS'Y (CCW)	1	
30	K3V140SWP-K		SWASH PLATE ASS'Y	2	Includes Bushing
41		K3V112CV550A	VALVE, CHECK1 SHORT	2	
42		K3V112CV544A	VALVE, CHECK2 LONG	2	Also Requires Part# 2953802044
111		K3V140SF14	DRIVE SHAFT (Front - 14 Tooth)	1	
-		K3V140SF17	DRIVE SHAFT (Front - 17 Tooth)	1	
113		K3V140SR13	DRIVE SHAFT (Rear - 13 Tooth)	1	
116		K3V140SC	SPLINE COUPLING	1	
123		K3V140FB	BEARING, ROLLER (Front)	2	
124	K3V180DTHRB-K		BEARING, NEEDLE (Rear)	2	
127			BEARING SPACER	4	
153	K3V180SP-K	K3V180SP	SET PLATE	2	
156	K3V140BGS-K	K3V140BG	SPHERICAL BUSHING	2	Includes Spacer
-	K3V140SPCR-K	K3V140SPCR	SPACER (FOR BALL GUIDE)	2	Spacer for Ball Guide
157	K3V140BS-K	K3V140BS	CYLINDER SPRING	18	Sold in Sets of 9
211	K3V140SHP-K	K3V140SHP	SHOE PLATE	2	
251	K3V140SPS-K	K3V140SPA*	SWASH PLATE SUPPORT	2	*Aftermarket # includes Support & Swash Plate
261		113681	FRONT COVER	1	
263			REAR COVER	1	
271	K3V180H-K	K3V180H	PUMP CASING	2	
312		K3V140/180CH	VALVE COVER	1	
325			COVER or ASSIST CASING	1	
326			COVER	1	Not Pictured
401		113714	SCREW, HEX .S.H.C	8	
406			SCREW, HEX S.H.C	8	Qty Needed Depends on Model
407			SCREW, HEX S.H.C	3	Depends on Model
407			SCREW, HEX S.H.C	3	Depends on Model
414			SCREW, HEX S.H.C	4	
466		OVP14	VP PLUG 1/4	2	
467		OVP38	VP PLUG 3/8	2	
468		OVP34	VP PLUG 3/4	4	
490			PLUG 1/16	33	Qty Needed Depends on Model
530		K3V140DTTP	TILTING PIN ASS'Y	2	
532		K3V140SERVO	SERVO PISTON	2	

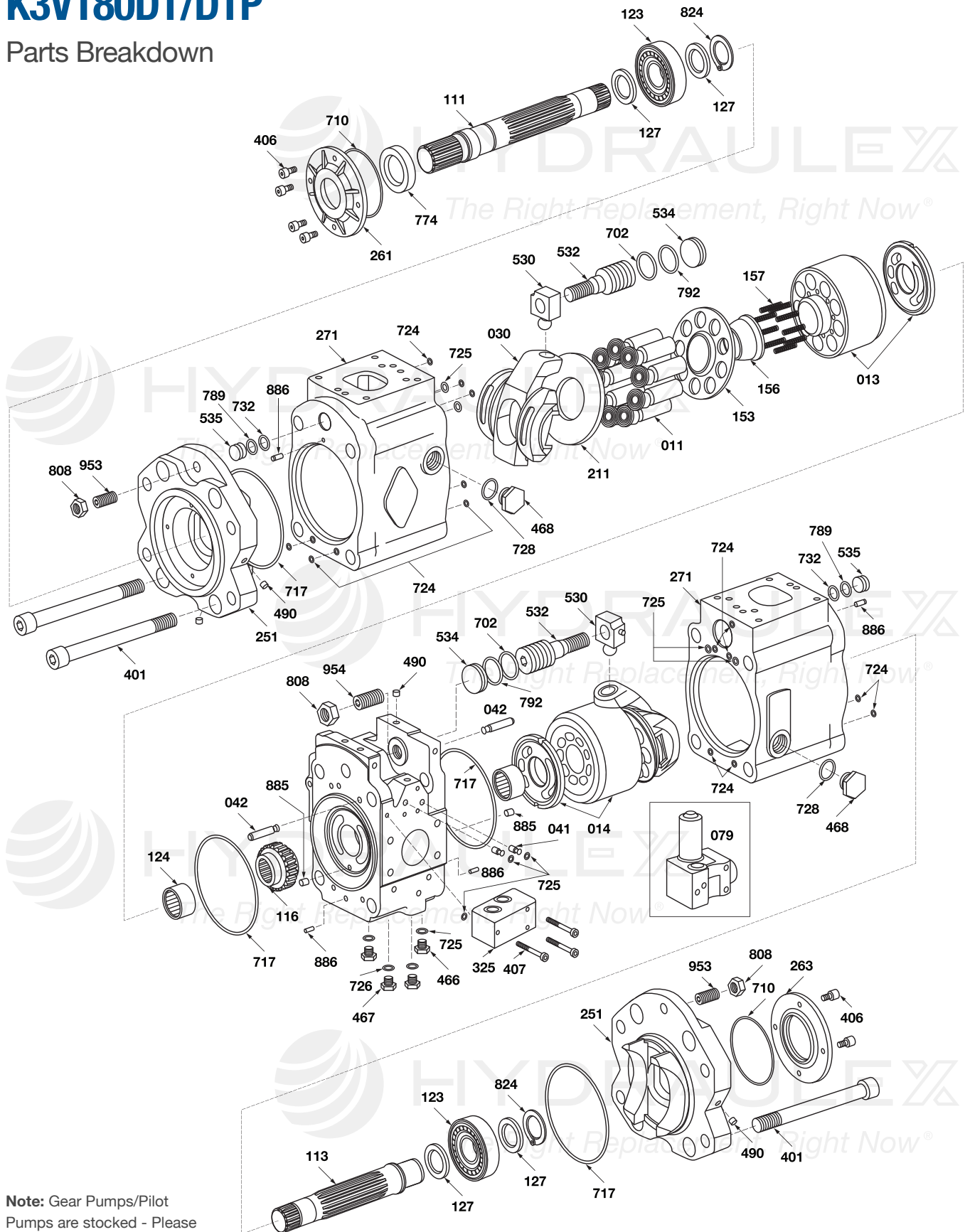
K3V140DT

Parts Breakdown

NO.	OEM PART #	AFTERMARKET #	DESCRIPTION	QTY/UNIT	NOTES
534		113684	STOPPER (L)	2	
535		113688	STOPPER (S)	2	
702			O-RING (See Seal Kit)	2	Not Sold Separately
710			O-RING (See Seal Kit)	3	Not Sold Separately
717			O-RING (See Seal Kit)	4	Not Sold Separately
724			O-RING (See Seal Kit)	18	Not Sold Separately
725			O-RING (See Seal Kit)	8	Not Sold Separately
726			O-RING (See Seal Kit)	3	Not Sold Separately
727			O-RING (See Seal Kit)	1	Not Sold Separately
728			O-RING (See Seal Kit)	4	Not Sold Separately
732			O-RING (See Seal Kit)	2	Not Sold Separately
774			SEAL, OIL (See Seal Kit)	1	Not Sold Separately
789		K3V180BUKIT	RING, BACK UP (See BUKIT Kit)	2	Not Sold Separately
792		-	RING, BACK UP (See BUKIT Kit)	2	Not Sold Separately
-	K3V140SK-K	K3V140SK	SEAL KIT (40mm)	Set	
806			NUT, HEX	2	
808		102048	NUT, HEX	2	
824		202282	RING, STOP	2	
885		113715	PIN	2	
886		200678	PIN, SPRING	4	
901			BOLT, EYE	2	Not Pictured
953		119078	SCREW, SET	2	
954			SCREW, SET	2	
983			DRIVE SCREW	2	For Nameplate-Not Pictured
981			PLATE, NAME	1	Not Pictured
02			Regulator	2	
03			PTO	1	
04		Stocked	Gear Pump/Pilot Pump	1	Please Call
079		Stocked	Proportional Reducing Block	1	Please Call

K3V180DT/DTP

Parts Breakdown



Note: Gear Pumps/Pilot Pumps are stocked - Please call for pricing & availability.

K3V180DT/DTP

Parts Breakdown

NO.	OEM PART #	AFTERMARKET #	DESCRIPTION	QTY/UNIT	NOTES
11	K3V180PS-K	K3V180PS	PISTON ASS'Y (LAP)	18	Sold in Sets of 9
13	K3V180CBRH-K	K3V180CBRH	CYLINDER ASS'Y (CW)	1	
14	K3V180CBLH-K	K3V180CBLH	CYLINDER ASS'Y (CCW)	1	
30	K3V140SWP-K		SWASH PLATE ASS'Y	2	Depends on Model
41		K3V112CV550A	VALVE, CHECK1 SHORT	2	
42		K3V112CV544A	VALVE, CHECK2 LONG	2	Also Requires Part# 2953802044
111		K3V140SF14	DRIVE SHAFT (Front - 14 Tooth)	1	
-		K3V140SF17	DRIVE SHAFT (Front - 17 Tooth)	1	
-		K3V180DTSFL14	DRIVE SHAFT LONG (Front-14 Tooth)	1	
113		K3V140SR13	DRIVE SHAFT (Rear - 13 Tooth)	1	For DT Model
-		K3V140SR12	DRIVE SHAFT (Rear - 12 Tooth)	1	For DT Model
-	K3V180DTPSR13-K	K3V180DTPSR13	DRIVE SHAFT (Rear - 13 Tooth)		For DTP Model
116			1ST GEAR	1	For DTP Model
-		113710A	SPLINE COUPLING	1	For DT Model
123		K3V140FB	BEARING, ROLLER (Front)	2	
124	K3V180DTHRB-K		BEARING, NEEDLE (Rear)	2	
127			BEARING SPACER	4	
153	K3V180SP-K	K3V180SP	SET PLATE	2	
-		K3V180SPBG	SET PLATE & BALL GUIDE	2	
156	K3V180BGS-K	K3V180BG	SPHERICAL BUSHING	2	Includes Spacer
-	K3V180SPCR-K		SPACER (FOR BALL GUIDE)		Spacer for Ball Guide
157	K3V180BS-K	K3V180BS	CYLINDER SPRING	18	Sold in Sets of 9
211	K3V140SHP-K	K3V140SHP	SHOE PLATE	2	
251	K3V140SPS-K	K3V140SPA*	SWASH PLATE SUPPORT	2	*Aftermarket # includes Support & Swash Plate
261		113681	FRONT COVER	1	
263			REAR COVER	1	
271	K3V180H-K	K3V180H	PUMP CASING	2	
312		K3V140/180CH	VALVE COVER	1	
325			COVER or ASSIST CASING	1	
326			COVER	1	Not Pictured
401		113714	SCREW, HEX .S.H.C	8	
406			SCREW, HEX S.H.C	8	Qty Needed Depends on Model
407			SCREW, HEX S.H.C	3	Depends on Model
407			SCREW, HEX S.H.C	3	Depends on Model
414			SCREW, HEX S.H.C	4	

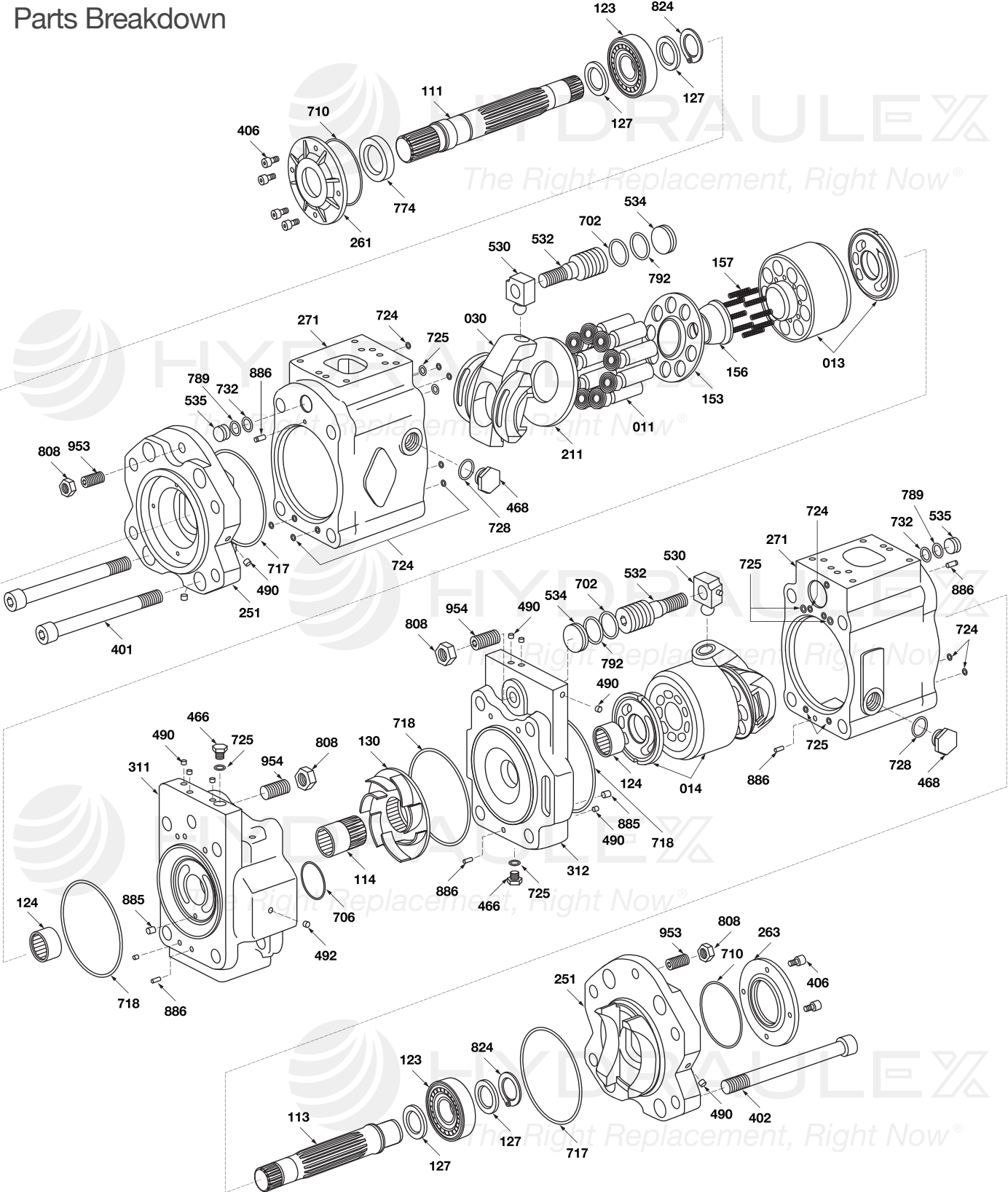
K3V180DT/DTP

Parts Breakdown

NO.	OEM PART #	AFTERMARKET #	DESCRIPTION	QTY/UNIT	NOTES
466		0VP14	VP PLUG 1/4	2	
467		0VP38	VP PLUG 3/8	2	
468		0VP34	VP PLUG 3/4	4	
490			PLUG 1/16	33	Qty Needed Depends on Model
530		K3V140DTP	TILTING PIN ASS'Y	2	
532		113687A	SERVO PISTON	2	
534		113684	STOPPER (L)	2	
535		113688	STOPPER (S)	2	
702			O-RING (See Seal Kit)	2	Not Sold Separately
710			O-RING (See Seal Kit)	3	Not Sold Separately
717			O-RING (See Seal Kit)	4	Not Sold Separately
724			O-RING (See Seal Kit)	18	Not Sold Separately
725			O-RING (See Seal Kit)	8	Not Sold Separately
726			O-RING (See Seal Kit)	3	Not Sold Separately
727			O-RING (See Seal Kit)	1	Not Sold Separately
728			O-RING (See Seal Kit)	4	Not Sold Separately
732			O-RING (See Seal Kit)	2	Not Sold Separately
774			SEAL, OIL (See Seal Kit)	1	Not Sold Separately
789		K3V180BUKIT	RING, BACK UP (See BUKIT Kit)	2	Not Sold Separately
792		-	RING, BACK UP (See BUKIT Kit)	2	Not Sold Separately
-	K3V140SK-K	K3V140SK	SEAL KIT (40mm)	Set	
806			NUT, HEX	2	
808		102048	NUT, HEX	2	
824		212282	RING, STOP	2	
885		113715	PIN	2	
886		200678	PIN, SPRING	4	
901			BOLT, EYE	2	Not Pictured
953		119078	SCREW, SET	2	
954			SCREW, SET	2	
983			DRIVE SCREW	2	For Nameplate-Not Pictured
981			PLATE, NAME	1	Not Pictured
02			Regulator	2	
03			PTO	1	
04		Stocked	Gear Pump/Pilot Pump	1	Please Call
079		Stocked	Proportional Reducing Block	1	Please Call

K3V180DTH

Parts Breakdown



K3V180DTH

Parts Breakdown

NO.	OEM PART #	AFTERMARKET #	DESCRIPTION	QTY/UNIT	NOTES
11	K3V180PS-K	K3V180PS	PISTON ASS'Y (LAP)	18	Sold in Sets of 9
13	K3V180CBRH-K	K3V180CBRH	CYLINDER ASS'Y (CW)	1	
14	K3V180CBLH-K	K3V180CBLH	CYLINDER ASS'Y (CCW)	1	
30	K3V180DTHSWP-K		SWASH PLATE ASS'Y	2	Includes Bushing
101			FLANGE	2	Not Pictured
111	K3V180DTHSF15-K	K3V180DTHSF15	DRIVE SHAFT (Front - 15 Tooth)	1	
-		K3V180DTHSF17	DRIVE SHAFT (Front - 17 Tooth)	1	
-		K3V180DTHSFCAT	DRIVE SHAFT (Front - CAT App.)	1	
113		K3V180DTHSR13	DRIVE SHAFT (Rear - 13 Tooth)	1	
-		K3V180DTHSR12	DRIVE SHAFT (Rear - 12 Tooth)	1	
114		2943800613	SPLINE COUPLING	1	
123		K3V140FB	BEARING, ROLLER (Front)	2	
124	K3V180DTHRB-K		BEARING, NEEDLE (Rear)	2	
127			BEARING SPACER	3	
130		2933800926	BOOSTER	1	
153	K3V180SP-K	K3V180SP	SET PLATE	2	
156	K3V180BGS-K	K3V180BG	SPHERICAL BUSHING	2	Includes Spacer
157	K3V180BS-K	K3V180BS	CYLINDER SPRING	18	
211	K3V140SHP-K	K3V140SHP	SHOE PLATE	2	
251	K3V180DTHSPS-K		SWASH PLATE SUPPORT	2	
-		K3V180DTHSPA	SWASH PLATE ASS'Y	2	Includes Support & Swash Plate
-		K3V180SPACAT	SWASH PLATE ASS'Y (CAT 350L)	2	Includes Support & Swash Plate
261		113681	FRONT COVER	1	
263			REAR COVER	1	
271	K3V180DTHH-K		PUMP CASING	2	
-		K3V180H-K	PUMP CASING (Non OEM1)	2	
311			VALVE COVER (Front)	1	
312		135354	VALVE COVER (Rear)	1	
401		135275	SCREW, HEX S.H.C	4	
402		135275	SCREW, HEX S.H.C	4	
406		200846	SCREW, HEX S.H.C	(8)	Qty Needed Depends on Model
407			SCREW, HEX S.H.C	(8)	Not Pictured
466		OVP38	VP PLUG 3/8	(4)	Qty Needed Depends on Model
468		OVP34 or 108847	VP PLUG 3/4	4	
490			PLUG	32	
492			PLUG	5	

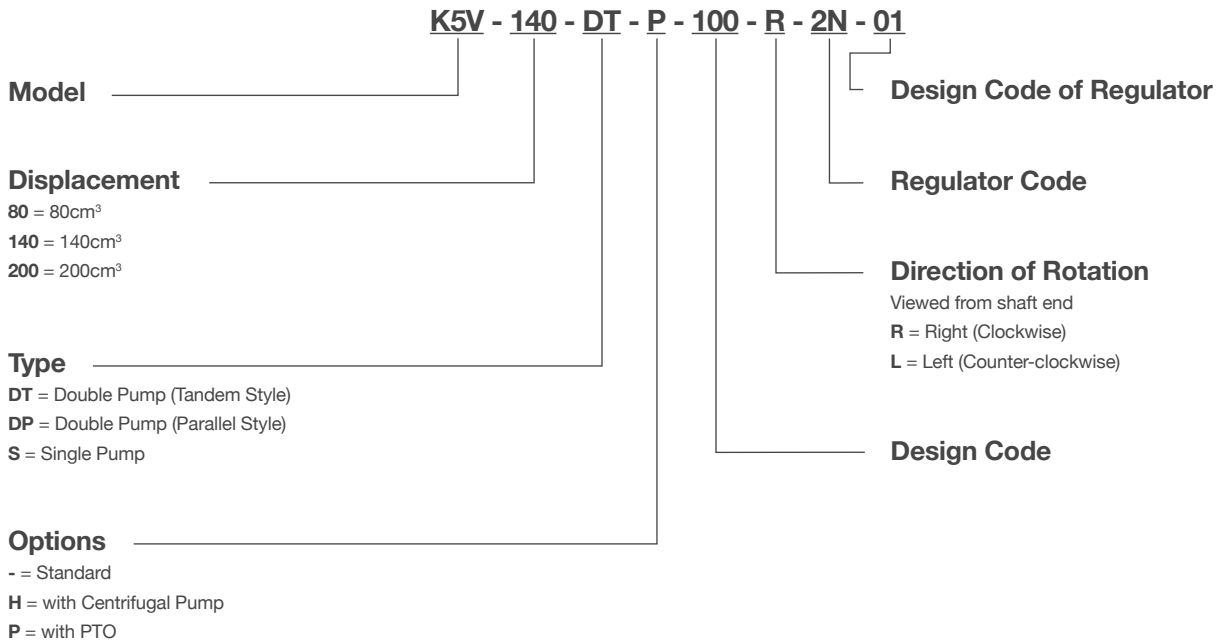
K3V180DTH

Parts Breakdown

NO.	OEM PART #	AFTERMARKET #	DESCRIPTION	QTY/UNIT	NOTES
530		718419	TILTING PIN ASS'Y	2	
532		113687A	SERVO PISTON	2	
534		113684	STOPPER (L)	2	
535		113688	STOPPER (S)	2	
702			O-RING (See Seal Kit)	2	Not Sold Separately
706			O-RING (See Seal Kit)	1	Not Sold Separately
707			O-RING (See Seal Kit)	2	Not Sold Separately
710			O-RING (See Seal Kit)	2	Not Sold Separately
717			O-RING (See Seal Kit)	2	Not Sold Separately
718			O-RING (See Seal Kit)	3	Not Sold Separately
724			O-RING (See Seal Kit)	15	Not Sold Separately
725			O-RING (See Seal Kit)	10	Not Sold Separately
728			O-RING (See Seal Kit)	4	Not Sold Separately
732			O-RING (See Seal Kit)	2	Not Sold Separately
774			OIL SEAL (See Seal Kit)	1	Not Sold Separately
789		K3V180BUKIT	BACK-UP RING (See BUKIT Kit)	2	Not Sold Separately
792		-	BACK-UP RING (See BUKIT Kit)	2	Not Sold Separately
-		K3V180DTHSK	SEAL KIT	Set	
808		102048	NUT	4	
824		212282	SNAP RING	2	
885		113715	PIN	2	
886		200678	SPRING PIN	5	
901			EYE BOLT	2	Not Pictured
953		119078	SET SCREW	2	
954			SET SCREW	2	
983			DRIVE SCREW	2	For Nameplate-Not Pictured
981			PLATE, NAME	1	Not Pictured
02			Regulator	2	
04			Gear Pump	1	Please Call

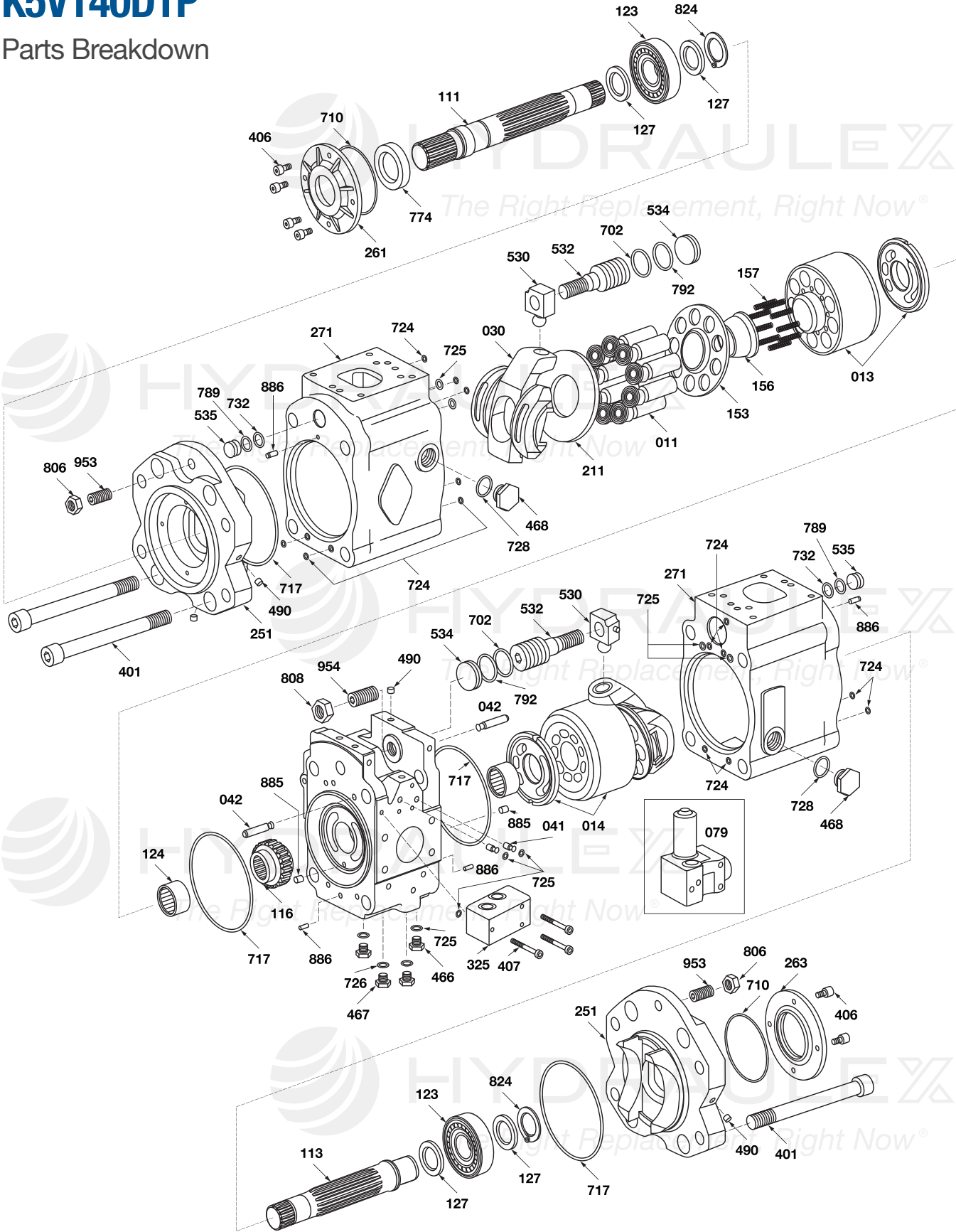
K5V Series

Model Code Breakdown



K5V140DTP

Parts Breakdown



K5V140DTP

Parts Breakdown

NO.	OEM PART #	AFTERMARKET #	DESCRIPTION	QTY/UNIT	NOTES
11	K5V140PS-K	K5V140PS	PISTON ASS'Y (LAP)	18	Sold in Sets of 9
13	K5V140CBRH-K	K5V140CBRH	CYLINDER ASS'Y (CW)	1	
14	K5V140CBLH-K	K5V140CBLH	CYLINDER ASS'Y (CCW)	1	
30	K5V140SWP-K		SWASH PLATE ASS'Y	2	Includes Bushing
41		K3V112CV550A	VALVE, CHECK1 SHORT	2	
42		K3V112CV544A	VALVE, CHECK2 LONG	2	
111	K5V140SF-K	K5V140DS	DRIVE SHAFT (Front - 13 Tooth)	1	
-	K5V140SF-K1	K5V140FS	DRIVE SHAFT (Front - 17 Tooth)	1	
113	K5V140SR-K		DRIVE SHAFT (Rear - 13 Tooth)	1	
116			1ST GEAR	1	For DTP Model
123	K3V112FB-K	K3V112FB	BEARING, ROLLER (Front)	2	
124	K5V140RB-K		BEARING, NEEDLE (Rear)	2	
127			BEARING SPACER	4	
153	K5V140SP-K	K5V140SP	SET PLATE	2	
156	K5V140BGS-K	K5V140BGS	SPHERICAL BUSHING	2	Includes Spacer
157	K5V140BS-K	K5V140BS	CYLINDER SPRING	18	Sold in Sets of 9
211	K3V112SHP-K	K3V112SHP	SHOE PLATE	2	
251	K5V140SPS-K	K5V140SPA*	SWASH PLATE SUPPORT	2	*Aftermarket # includes Support & Swash Plate
261			FRONT COVER	1	
263			REAR COVER	1	
271			PUMP CASING	2	
312			VALVE COVER	1	
325			COVER or ASSIST CASING	1	
326			COVER	1	Not Pictured
401			SCREW, HEX .S.H.C	8	
406			SCREW, HEX S.H.C	8	Qty Needed Depends on Model
407			SCREW, HEX S.H.C	3	Depends on Model
407			SCREW, HEX S.H.C	3	Depends on Model
414			SCREW, HEX S.H.C	4	
466		OVP38	VP PLUG 3/8	2	
467		OVP12	VP PLUG 1/2	2	
490			PLUG 1/16	33	Qty Needed Depends on Model
530	K5V140TP-K		TILTING PIN ASS'Y	2	
532			SERVO PISTON	2	
534			STOPPER (L)	2	
535			STOPPER (S)	2	

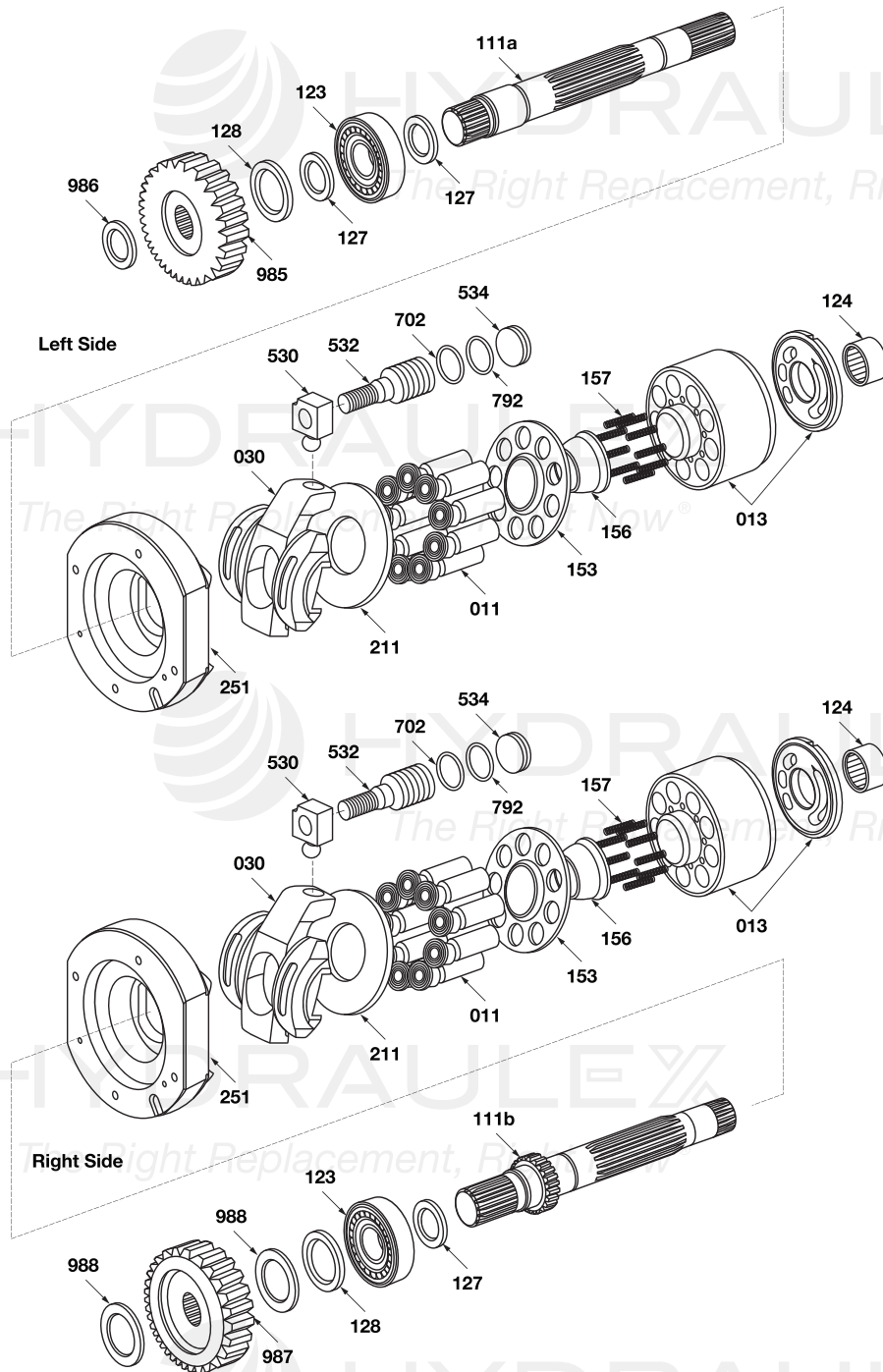
K5V140DTP

Parts Breakdown

NO.	OEM PART #	AFTERMARKET #	DESCRIPTION	QTY/UNIT	NOTES
702			O-RING (See Seal Kit)	2	Not Sold Separately
710			O-RING (See Seal Kit)	3	Not Sold Separately
717			O-RING (See Seal Kit)	4	Not Sold Separately
724			O-RING (See Seal Kit)	18	Not Sold Separately
725			O-RING (See Seal Kit)	8	Not Sold Separately
726			O-RING (See Seal Kit)	3	Not Sold Separately
727			O-RING (See Seal Kit)	1	Not Sold Separately
728			O-RING (See Seal Kit)	4	Not Sold Separately
732			O-RING (See Seal Kit)	2	Not Sold Separately
774			SEAL, OIL (See Seal Kit)	1	Not Sold Separately
789			RING, BACK UP (See Seal Kit)	2	Not Sold Separately
792			RING, BACK UP (See Seal Kit)	2	Not Sold Separately
-		K5V140SK	SEAL KIT	Set	
806			NUT, HEX	2	
808			NUT, HEX	2	
824			RING, STOP	2	
885			PIN	2	
886		200678	PIN, SPRING	4	
901			BOLT, EYE	2	Not Pictured
953			SCREW, SET	2	
954			SCREW, SET	2	
983			DRIVE SCREW	2	For Nameplate-Not Pictured
981			PLATE, NAME	1	Not Pictured
02			Regulator	2	
03			PTO	1	
04			Gear Pump/Pilot Pump	1	Please Call
079			Proportional Reducing Block	1	Please Call

K5V200DP

Parts Breakdown



K5V200DP

Parts Breakdown

NO.	OEM PART #	AFTERMARKET #	DESCRIPTION	QTY/UNIT	NOTES
11	K3V180PS-K	K3V180PS	PISTON ASS'Y (LAP)	18	Sold in Sets of 9
13	K3V180CBRH-K	K3V180CBRH	CYLINDER ASS'Y (CW)	1	
14	K3V180CBLH-K	K3V180CBLH	CYLINDER ASS'Y (CCW)	1	
30	K3V180DTHSWP-K		SWASH PLATE ASS'Y	2	Includes Bushing
111a			DRIVE SHAFT (Left)	1	
111b	29242500380		DRIVE SHAFT (Right - 17 Tooth)	1	
-	P-29242501071		DRIVE SHAFT (Right - 15 Tooth)	1	
123	K5V200FB-K		BEARING, ROLLER (Front)	2	
124	K5V200RB-K		BEARING, NEEDLE (Rear)	2	
127			BEARING SPACER (In)	3	
128			BEARING SPACER (Out)	2	
153	K3V180SP-K	K3V180SP	SET PLATE	2	
156	K3V180BGS-K	K3V180BG	SPHERICAL BUSHING	2	Includes Spacer
157	K3V180BS-K	K3V180BS	CYLINDER SPRING	18	Sold in Sets of 9
211	K3V140SHP-K	K3V140SHP	SHOE PLATE	2	
251	K5V200SPS-K		SWASH PLATE SUPPORT	2	
530			TILTING PIN ASS'Y	2	
532			SERVO PISTON	2	
534			STOPPER (L)	2	
535			STOPPER (S)	2	
-			SEAL KIT	Set	
985			IDLER GEAR (Left)	1	
986			IDLER GEAR SPACER	1	
987			IDLER GEAR (Right)	1	
988			DRIVE SHAFT SHIM	2	